

VIA  
**ARTiGO A920**

Fanless ultra-compact 4K  
Android digital signage, M2M  
& IoT gateway applications



**Features**

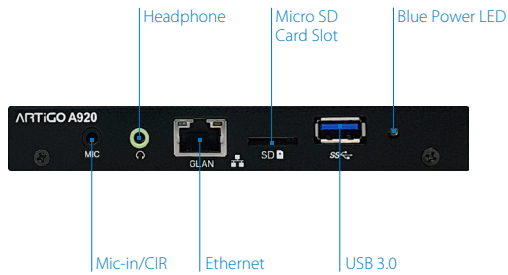
- Qualcomm® APQ8096SG Embedded Processor
- Supports 4K display resolution
- Designed for Android operating system
- Optional Wi-Fi and Bluetooth 4.1
- 4G module support

**Specifications**

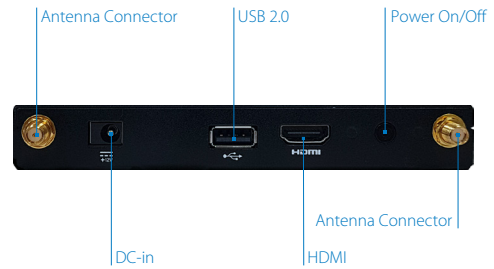
<b>Model Name</b>	<b>ARTiGO A920</b>
<b>Processor</b>	Qualcomm® APQ8096SG Embedded Processor - Two high-performance Kryo cores up to 2.342GHz - Two low power Kryo cores up to 1.593GHz
<b>System Memory</b>	4GB POP LPDDR4 SDRAM
<b>Storage</b>	16GB eMMC Flash memory Micro SD card slot
<b>Graphics</b>	Qualcomm® Adreno™ 530 GPU 3D graphics accelerator with 64-bit addressing 624MHz Graphics engine supporting OpenGL ES 3.1/GEP, GL4.4, DX11.3/4, OpenCL 2.0, Renderscript-Next Supports H.264, VP8, HEVC 8/10-bit, VP9 video decoding up to: 4K@60fps 1080p@240fps, 8 x 1080p@30fps
<b>Trusted Platform Module</b>	TPM1.2 : ST33TPM12I2C
<b>Wireless Connectivity</b>	NFA324A-12H32 QCA6174A-1 Wi-Fi 802.11a/b/g/n/ac + BT 4.1 combo LGA module
<b>Audio</b>	WCD9335 Audio Codec AMP 8810
<b>HDMI</b>	Integrated HDMI 2.0 transmitter
<b>Expansion I/O</b>	1 COM connector (TX/RX only for debugging) 1 SIM card slot (4G) 1 M.2 slot (for optional 4G module)
<b>Front Panel I/O</b>	1 USB 3.0 port 1 Gigabit Ethernet port 1 Micro SD card slot 1 Headphone jack 1 Mic-in, CIR (Optional) 1 Blue Power LED
<b>Back Panel I/O</b>	1 HDMI 2.0 port 1 USB 2.0 port 1 Power button 2 Antenna holes for Wi-Fi or optional 4G 1 DC-in jack (supports power-on)
<b>Power Supply</b>	12V DC-in (typical: 5W)
<b>Operating System</b>	Android 8.0
<b>VIA Smart ETK</b>	Wake-On-LAN, Watchdog timer
<b>Operating Temperature</b>	0°C ~ 40°C
<b>Operating Humidity</b>	0% ~ 90% @ 40° C (non-condensing)
<b>Storage Temperature</b>	-20°C ~ 70°C
<b>Mechanical Construction</b>	Aluminum top cover Metal chassis housing
<b>Mounting</b>	VESA mount (100mm x 100mm) (optional)
<b>Dimensions</b>	140mm(W) x 20mm(H) x 97.2mm(D) (5.51" x 0.79" x 3.83")
<b>Weight</b>	0.45kg (0.99lbs)
<b>Compliance</b>	CE, FCC CCC (ATG-A920-2Q23A1 sku only)



## Front Panel External I/O



## Back Panel External I/O



## Ordering Information

Part Number	SoC Frequency	Description
ATG-A920-1Q23A1	Qualcomm® APQ8096SG Embedded Processor @ 2.342GHz/1.593GHz	Android system with 2.342GHz Qualcomm® APQ8096SG Embedded Processor, 16GB eMMC, 4GB POP LPDDR4 RAM, HDMI, USB 3.0, USB 2.0, GPIO, COM, Gigabit Ethernet, S-Link, M.2 slot (for 4G module only), SIM card slot, Micro SD card slot, 12V DC-in
ATG-A920 -2Q23A1	Qualcomm® APQ8096SG Embedded Processor @ 2.342GHz/1.593GHz	Android system with 2.342GHz Qualcomm® APQ8096SG Embedded Processor, 16GB eMMC, 4GB POP LPDDR4 RAM, HDMI, USB 3.0, USB 2.0, GPIO, COM, Gigabit Ethernet, M.2 slot (for 4G module only), SIM card slot, Micro SD card slot, 12V DC-in

## Optional Accessories

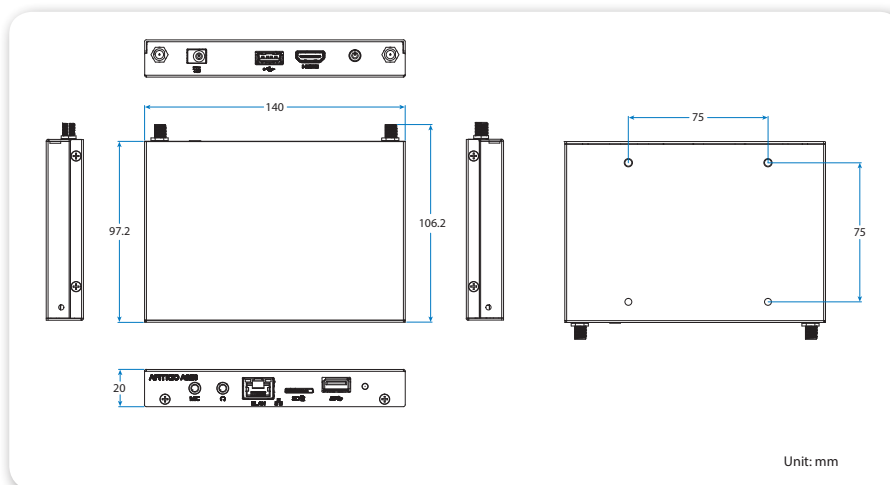
### Mounting Options

Part Number	Description
A000000018010-T	VESA mount bracket

### Cable Accessories

Part Number	Description
99G33-193428	Consumer Infrared (CIR) receiver cable
99G33-080297	Debug cable (TX/RX)

## Dimensions



## Packing List

Items
ARTiGO A920 system
AC-to-DC adapter
Power cord (USA type)
2 Wi-Fi antennas (ATG-A920-1Q23A1 sku only)